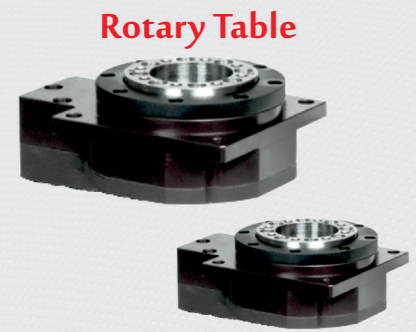
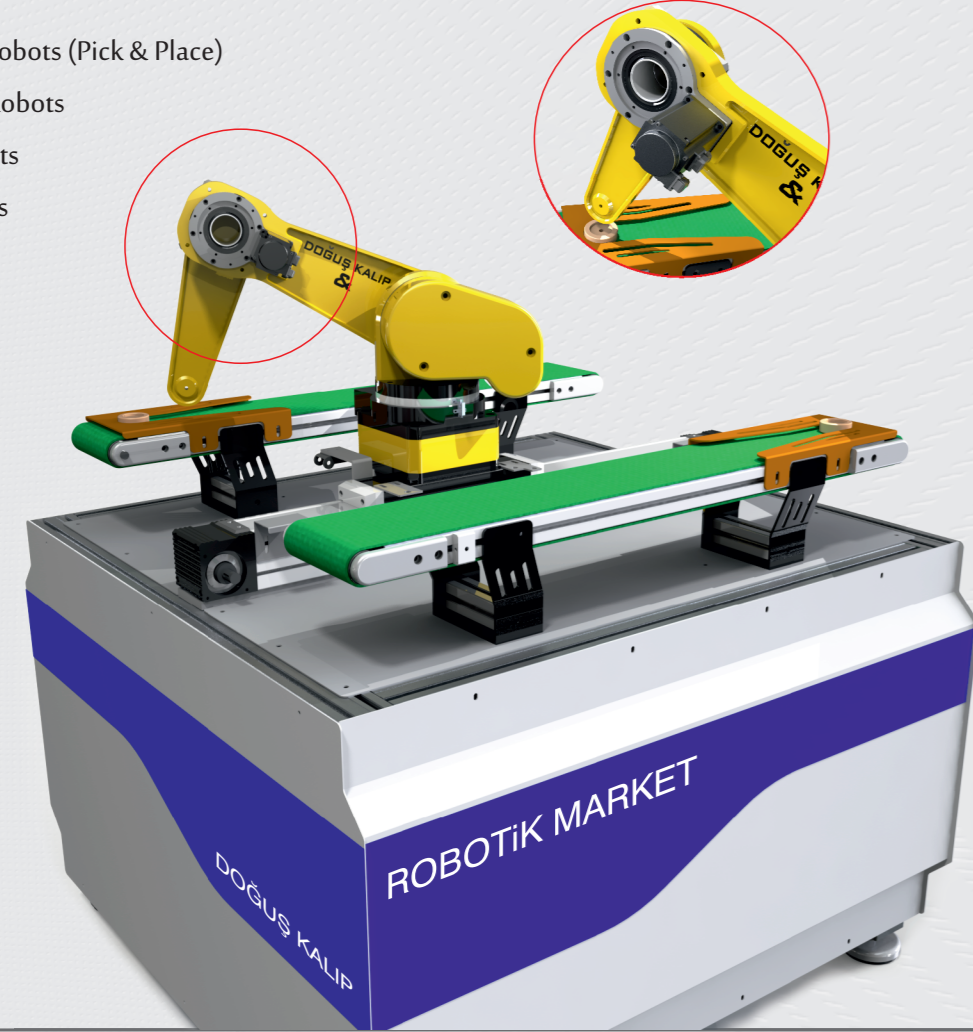


ROBOTIC MARKET OF TURKEY OPEN BY DOGUS KALIP

- Palletizer Type Robots (Pick & Place)
- Cartesian Type Robots
- Delta Type Robots
- Scara type robots



Rotary Table

Available in our stock diameter
Ø 060 - Ø 085 - Ø 130 - Ø 230 - mm

Cycloidal Ball Reducer



Available in our stock from
50-70-90-110- up 130 body in various ratio

90° Planetary Gear Reducer



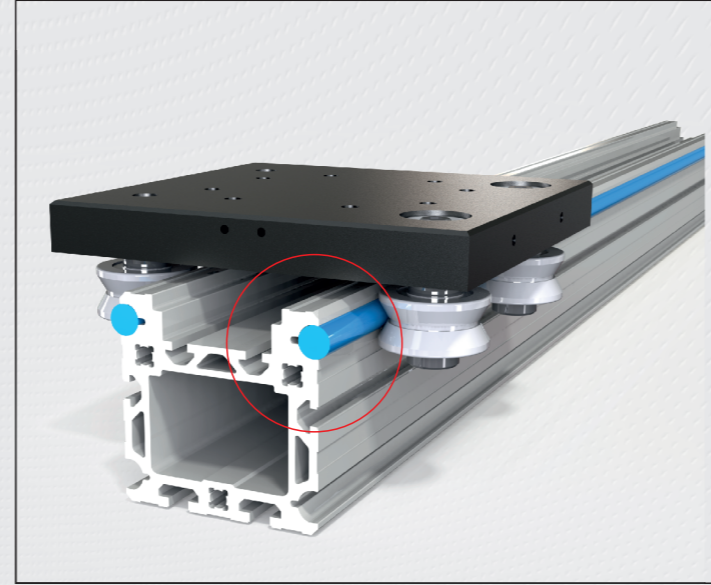
Available in our stock from
70-90- up 150 body in various ratio.

You are kindly invited to visit our

website www.doguskalip.com.tr

to learn more about our products

INNOVATIONS IN OUR MODULE SYSTEM



Advanced Guidance Assembly

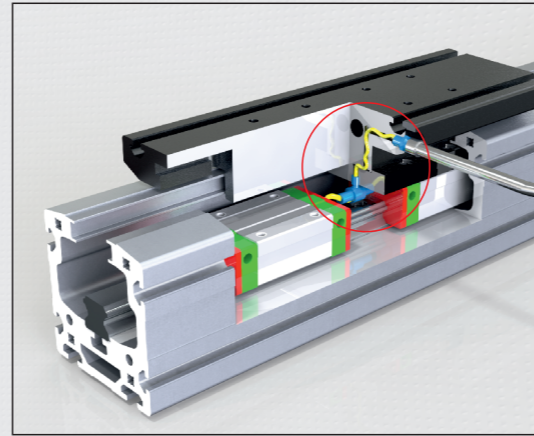
- 38x50 Roller Timing Module
- 60x80 Roller Timing Module
- 80x80 Roller Timing Module
- 80x80 Roller Tunnel Module
- 80x80 Rack Module
- 38x50 Profile Bedding
- 60x80 Profile Bedding
- 80x80 Profile Bedding

Advanced Guidance series provides high durability and quiet operation

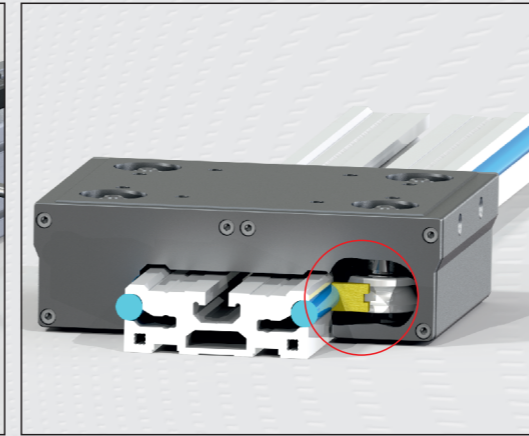
**HIGH
STRENGTH**

Extra Lubrication Properties

- 64x64 Compact
- 80x80 Compact
- 50x110 Compact
- 65x145 Compact
- 80x160 Compact
- 100x100 Compact



Our guidance systems provide long operating life due to face shield, seals and lubrication applications.



**LONG
OPERATING
LIFE**

- Ø6 Linear guide
- Ø8 Linear guide
- Ø12 Linear guide
- Ø20 Linear guide
- 45x90 Module
- 90x90 Module

FACTORY

Mahmutbey Mah. Karaoğlanoğlu Cad.
No:15/17 Bağcılar / İSTANBUL
Tel: +90 212 480 08 28 Pbx Fax: +90 212 480 08 33
E-Mail: info@doguskalip.com.tr

Hadımköy Branch

Alkop San. Sitesi Akçaburgaz Mah. 1592 Sokak A11
Blok No: 9 - 10 Esenyurt / İSTANBUL
Tel: +90 212 858 11 13 Fax: +90 212 858 11 14
E-Mail: hadimkoy@doguskalip.com.tr

İmes Branch

İmes Sanayi Sitesi C Blok 304 Sokak No: 1
Yukarı Dudullu - Ümraniye / İSTANBUL
Tel: +90 216 540 11 23 Fax: +90 216 540 11 25
E-Mail: imes@doguskalip.com.tr

European Logistics Center.

Poznan / POLAND
Tel: +48 511 942 810
E-Mail: europe@doguskalip.com.tr

İzmir Branch

Karacaoğlan Mah. 6169 Sokak No: 7-A
İşikkent Bornova / İZMİR
Tel: +90 232 472 24 61 Pbx Fax: +90 232 472 24 60
E-Mail: izmir@doguskalip.com.tr

Bayrampaşa Branch

Terazidere Mah. Çiftelavuzlar Cad. Melihbey İşhanı
No: 36 /6 Bayrampaşa / İSTANBUL
Tel: +90 212 480 08 21 Pbx Fax: +90 212 480 08 35
E-Mail: bayrampasa@doguskalip.com.tr

Gebze Branch

Gaziler Mahallesi İbrahim Ağa Caddesi No:273/1
Gebze / KOCAELİ
Tel: +90 262 643 60 40 Fax: +90 262 643 60 50
E-Mail: gebze@doguskalip.com.tr

İkitelli Branch

İkitelli Org. San. Böl. Eskoop San. Sit. C2 Blok No: 48
Başakşehir / İSTANBUL
Tel: +90 212 549 24 06 Fax: +90 212 549 24 11
E-Mail: ikitelli@doguskalip.com.tr

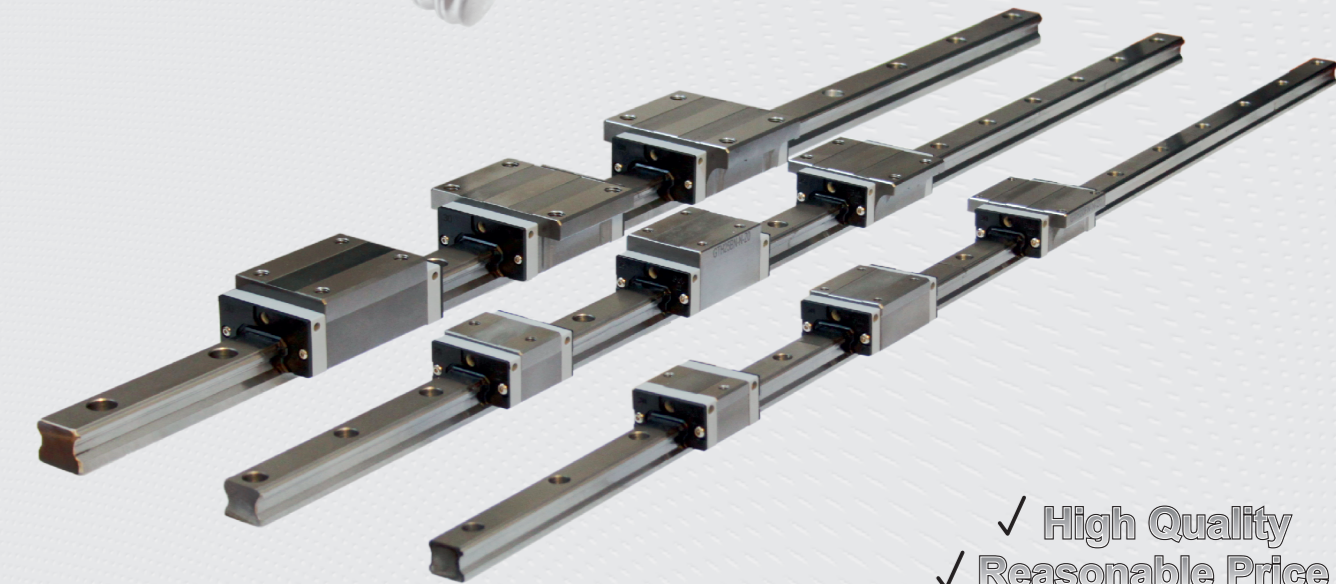
Bursa Branch

Üçevler Mah. 78. Sokak (220) Akva Tic.Mer.C Blok
34 Nolu Bağımsız Apartman No:2/A Nilüfer / BURSA
Tel: +90 224 441 42 16 Pbx Fax: +90 224 441 40 34
E-Mail: bursa@doguskalip.com.tr

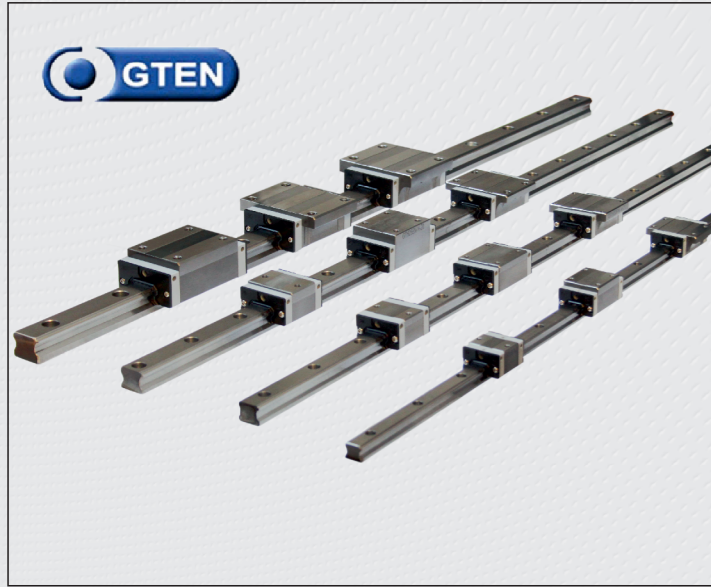
www.doguskalip.com.tr



Mechanic and Mechatronics Solution Partner



- ✓ High Quality
- ✓ Reasonable Price
- ✓ Unlimited Stock
- ✓ Engineering Support

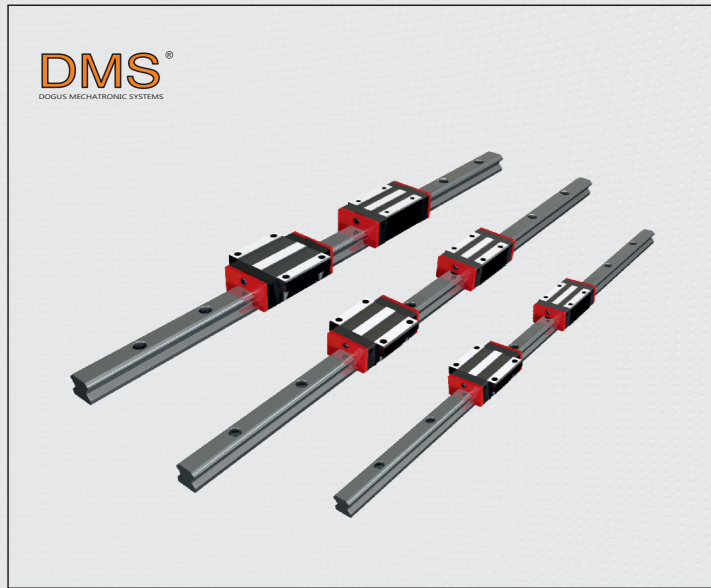


GTEN Linear Guideways and Blocks

- GTS-BN Linear Block Narrow-Low
- GTS-BS Linear Compact Block Narrow-Low
- GTS-FN Linear Block Wide-Low
- GTH-BN Linear Block Narrow-High
- GTH-FN Linear Block Wide
- GTH-BL Linear Block Long Narrow-High
- GTH-FL Linear Block Wide-Low

**FIRST IN
TURKEY**

15 - 20 - 25 - 30' Linear rail and blocks are available in our stock

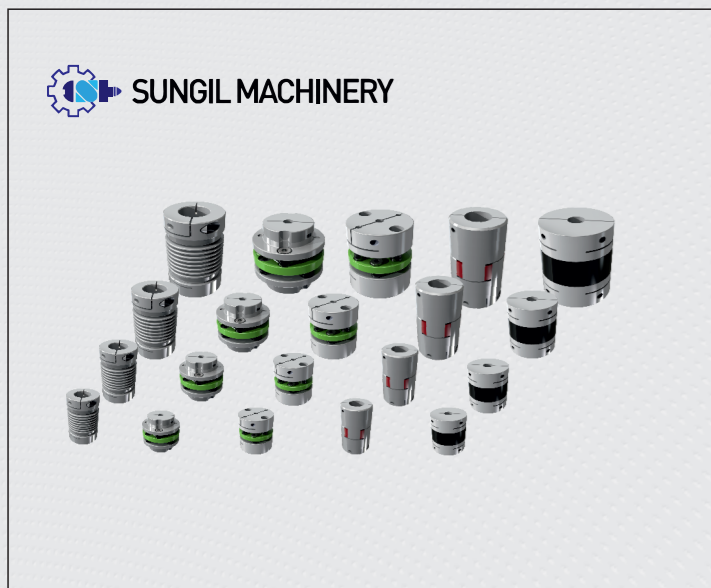


DMS Linear Rails and Blocks

- GHH Linear Block Narrow-High
- GHW Linear Block Wide

**%30
CHEAPER**

15 - 20 - 25 - 30' Linear rail and blocks are available in our stock



Couplings

- Jaw Couplings
- Bellow Couplings
- Flexible Beam Couplings
- High Tork Rubber Couplings
- Plastic Couplings
- Oldham Couplings
- Cross Joint Couplings
- Jaw Coupling With Ringfeder
- Disc Coupling (Single)
- Disc Coupling (Double)
- Flanged Disc Couplings (Single)
- Flanged Disc Couplings (Double)

**SUPER
SERIES**

Couplings are available in stock which providing shaft bearing facilities from Ø3 mm - Ø74 mm.

WE ARE AT YOUR SERVICE WITH OUR NEW INDUSTRIAL EQUIPMENTS

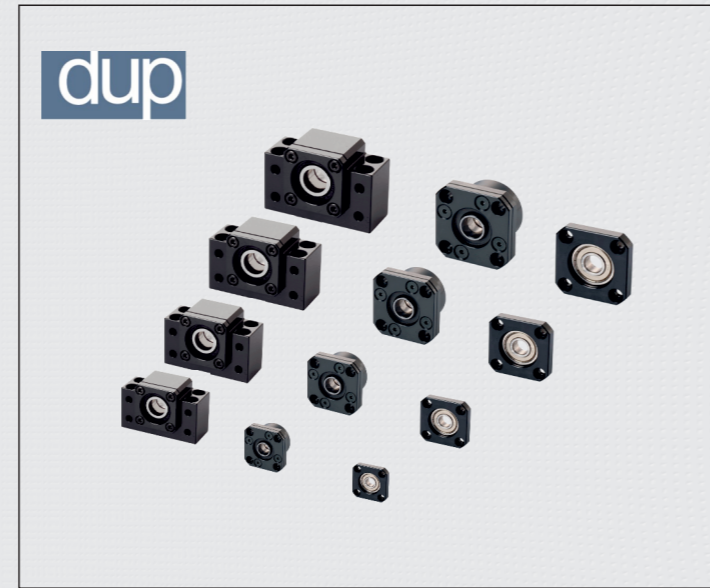


GTEN Ballscrew and Nuts

- FSU Flanged Ballscrew Nut
- FDU Double Flanged Ballscrew Nut
- FSE Long Pitch Ballscrew Nut
- RSY Cylindrical Ballscrew Spline Nut

**A
QUALITY**

Ballscrew and Nuts are available in our stock from Ø12 - 16 - 20 - 25 - 32 - 40 - 50 - 63 mm.

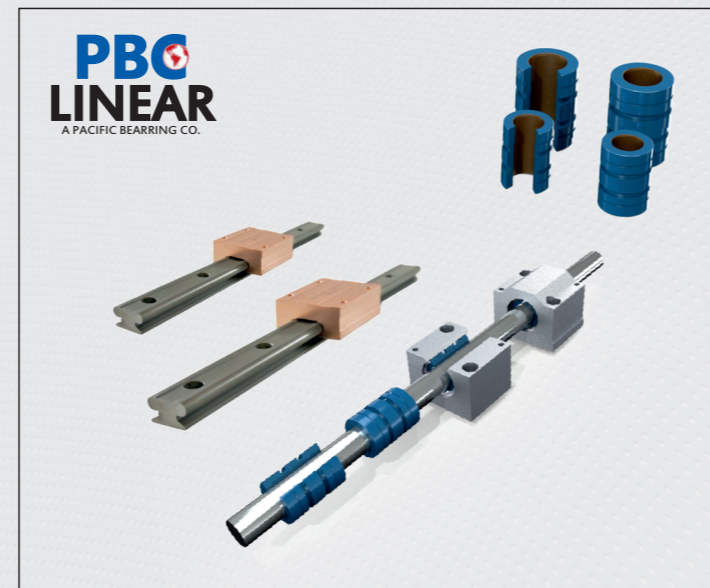


Ballscrew End Support Bearings

- BK Series
- BF Series
- FK Series
- FF Series

**A
QUALITY**

Available in stock from Ø10 - 12 - 15 - 17 - 20 - 25 - 30 - 40 mm.



Teflon Bearings

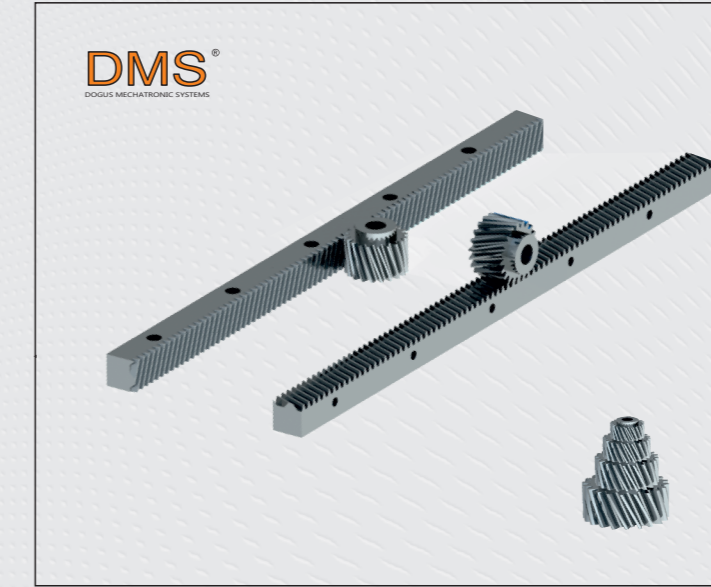
- FM Series Linear Bearings (Closed Type)
- FMN Series Linear Bearings (Open Type)
- PM Closed Pillow Block
- PMN Open Pillow Block
- DFPM Square Flange Mount Double Teflon Bearings
- DFPMR Round Flange Mount Double Teflon Bearings
- SFPM Square Flange Mount Single Teflon Bearings
- SFPMR Round Flange Mount Single Teflon Bearings

**Next
generation
Product**

Teflon Bearings are available in stock which providing bearing facilities from Ø8 mm - Ø50 mm.

Teflon Linear Rails and Blocks

MR-7 / MR-9 / MR-12 / MR-15 / MR-20



Rack and Pinion Gears (Spur-Helical)

- Spur Rack and Pinion Gear
- Helical Right Thread Rack and Pinions
- Helical Left Thread Rack and Pinions

**%25
CHEAPER**

Available in stock Mod 1,0- 1,5- 2,0- 2,5-3,0- 4,0 as Spur Rack Pinion Gears and Helical Rack and Pinion Gears.

Available in our stock Z=20, Z=22, Z=24, Z=25

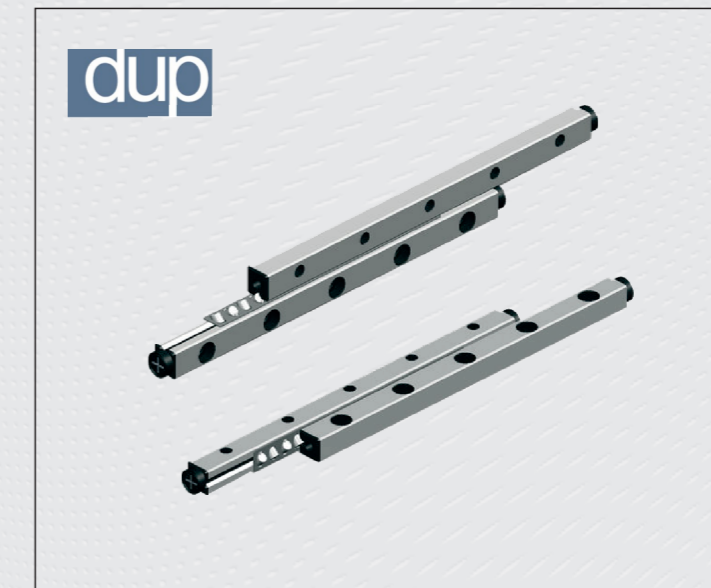


Stainless and Casting Bearings

- SUCF Series Bearings
- SUCFL Series Bearings
- SUCP Series Bearings
- SUCT Series Bearings
- UCF Series Bearings
- UFL Series Bearings
- UP Series Bearings

**NEW
PRODUCT**

Available Bearing Caps for Ø12 - 15 - 17 - 20 - 25 - 30 - 35 - 40 mm beddings



Cross Roller Guideways

- DRV Series Precision Guideways
- DRA Series Precision Guideways

**NEW
PRODUCT**

Ø3 - 6 - 9

Available in stock different sizes from 75mm to 500mm